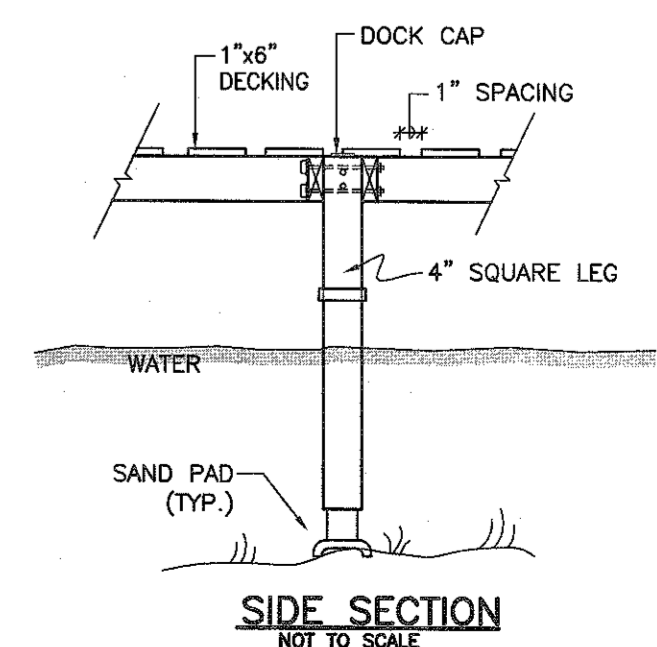
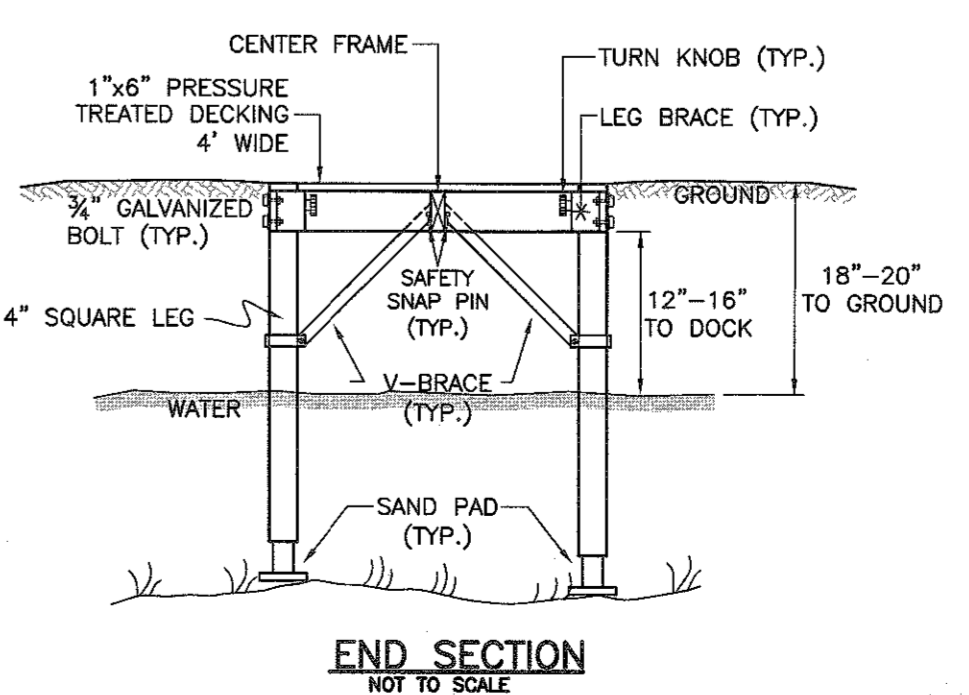
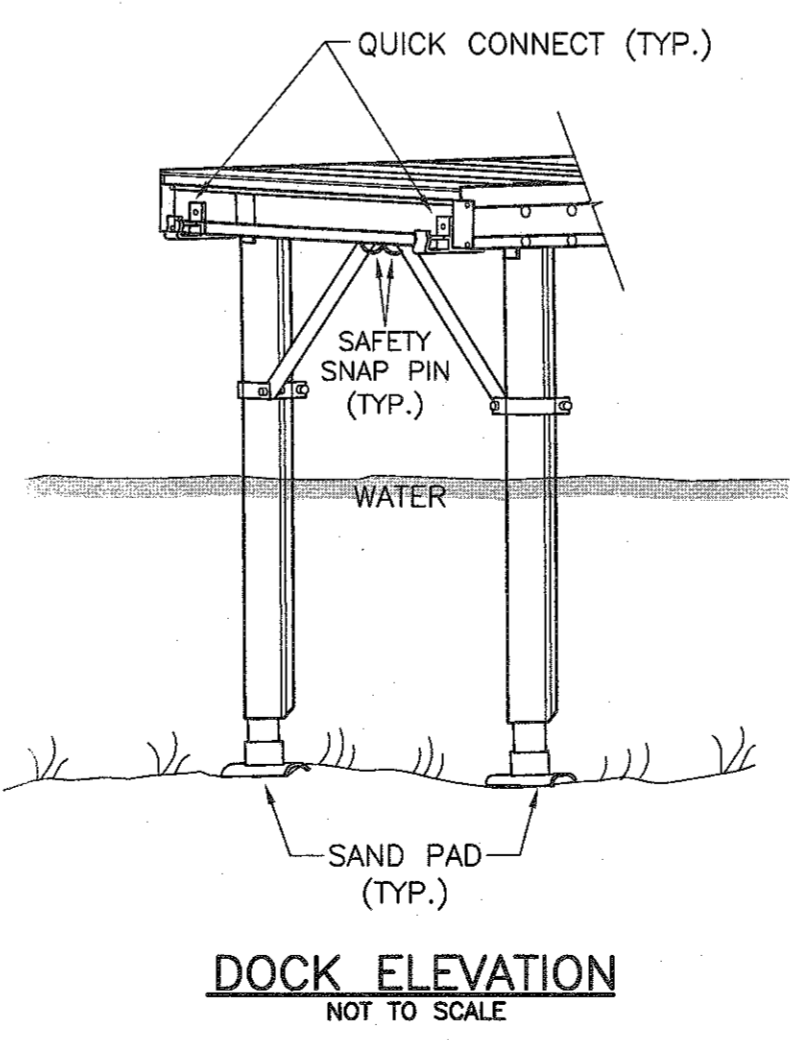
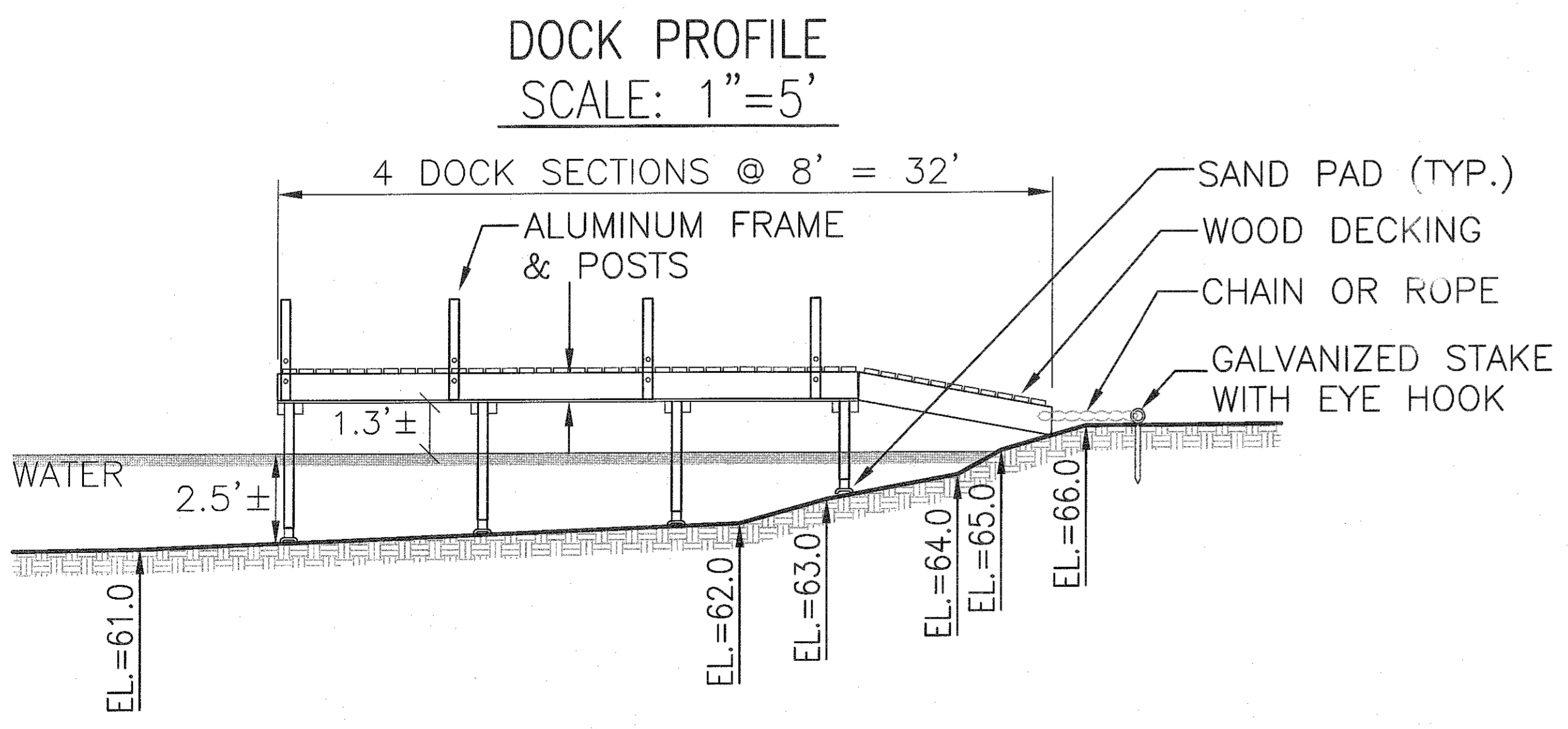
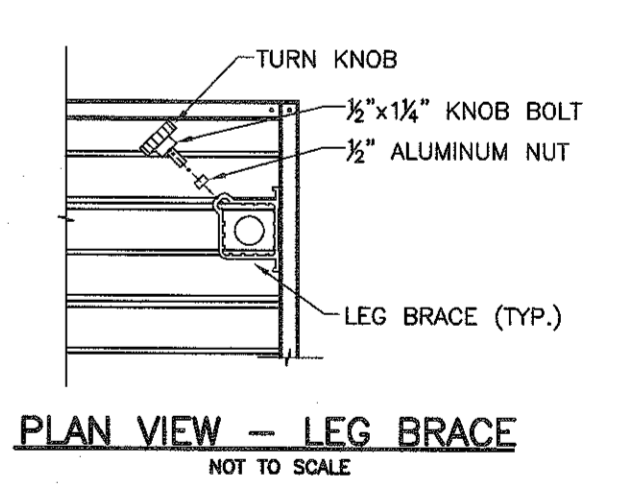
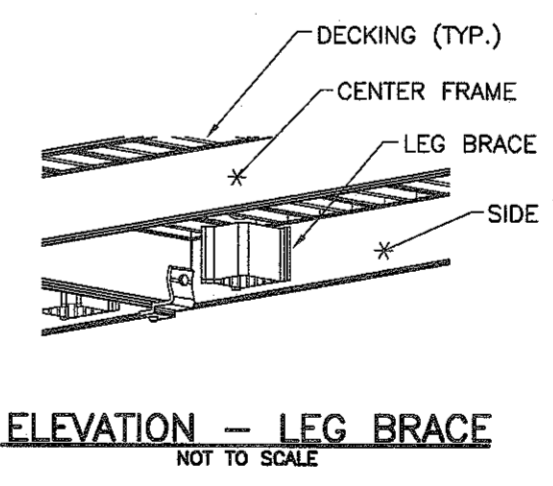
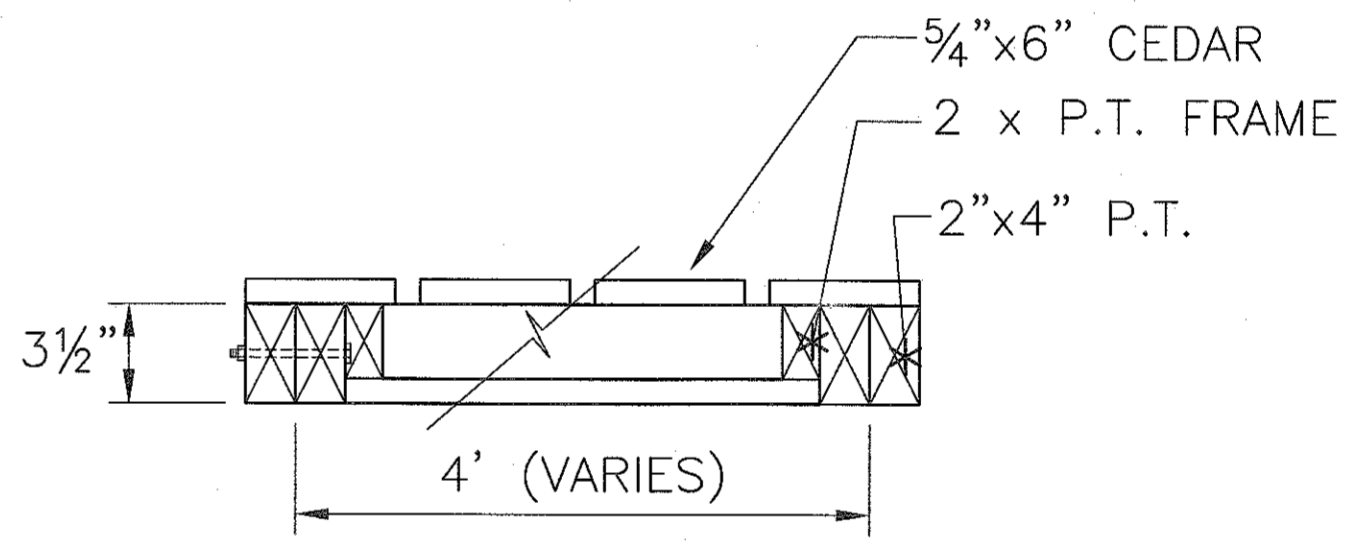
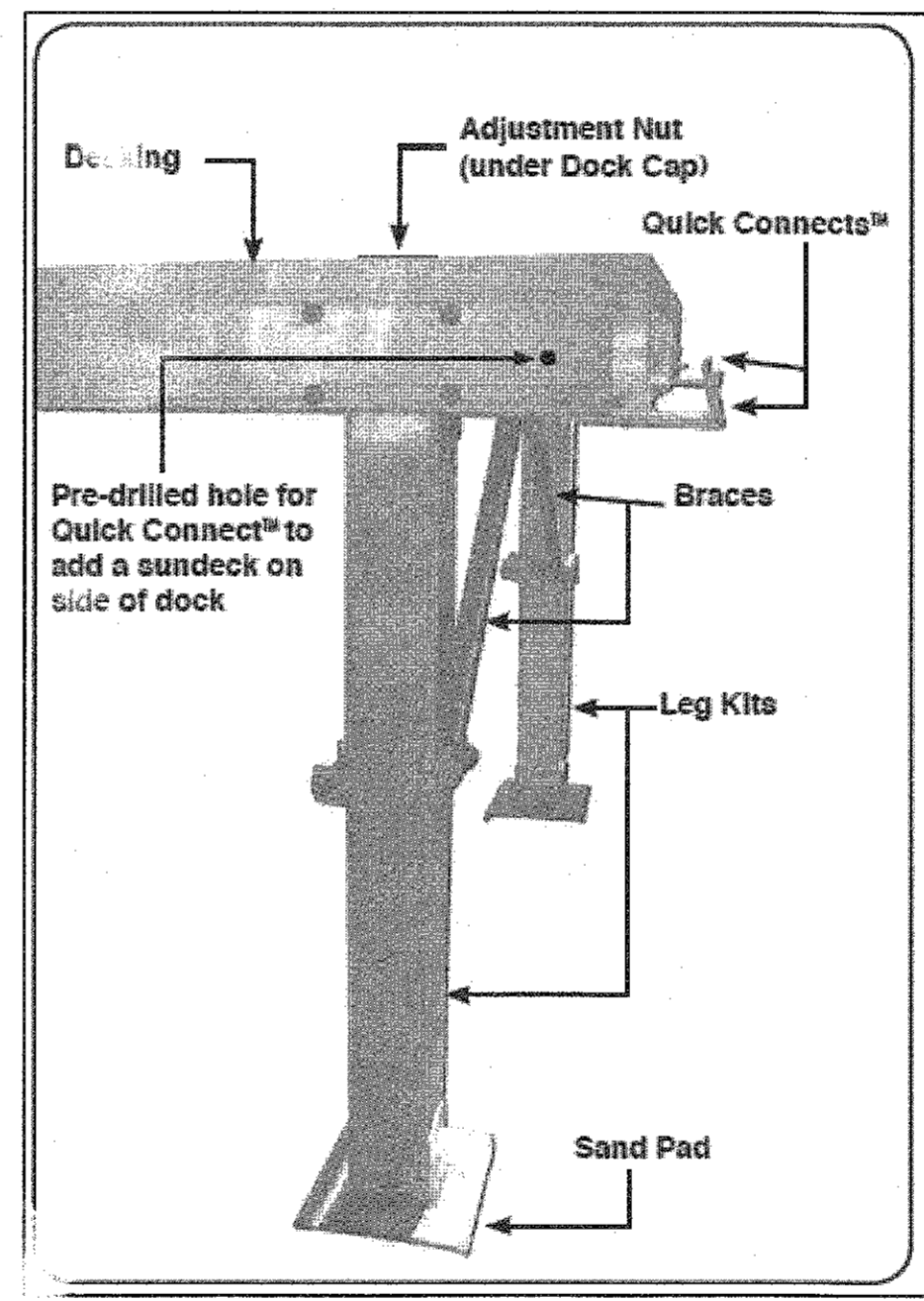
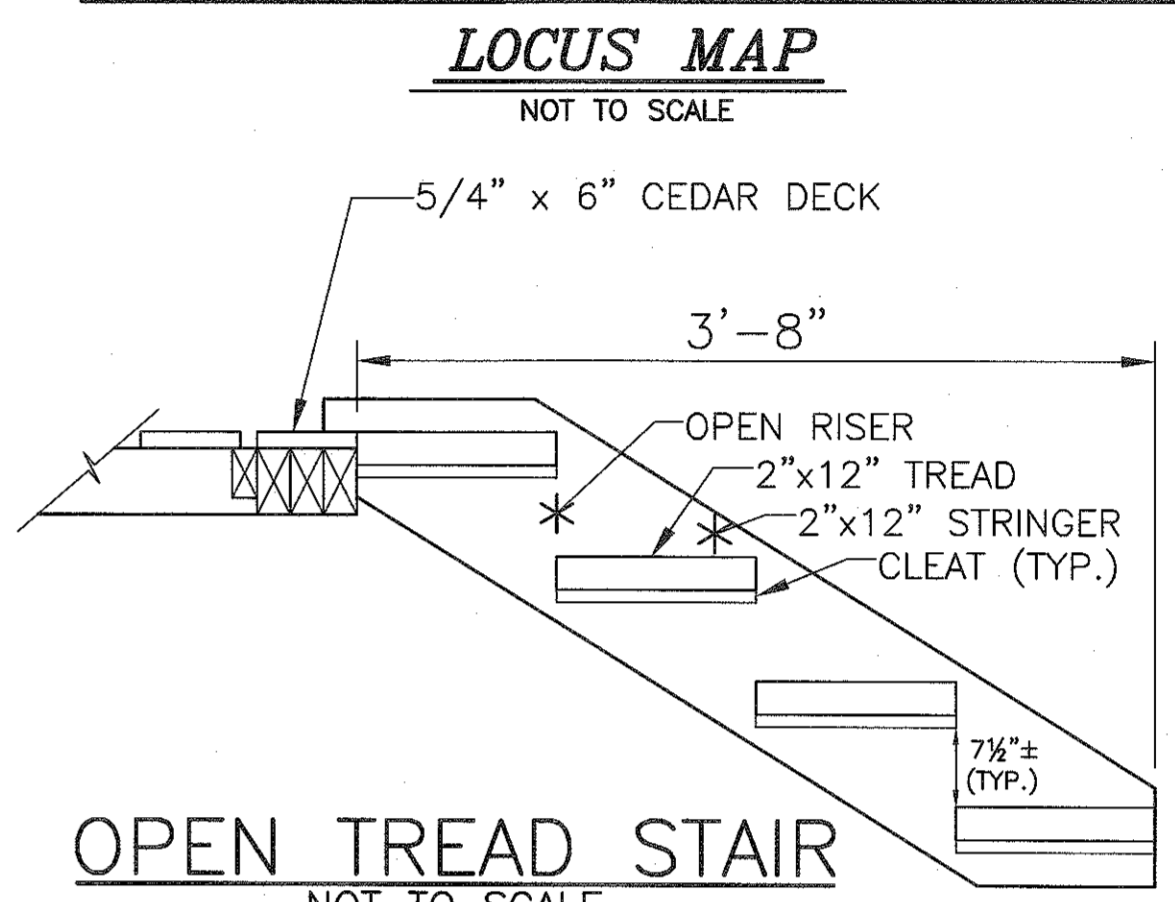
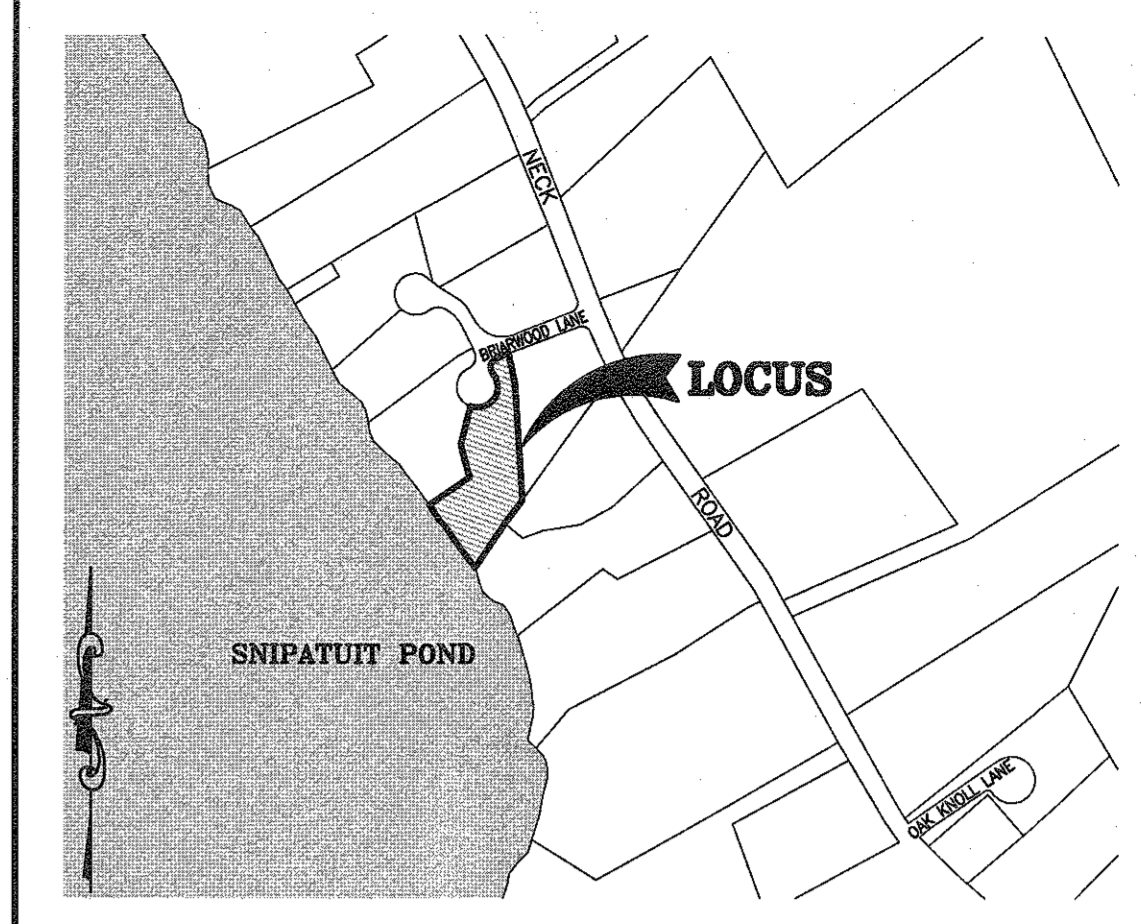
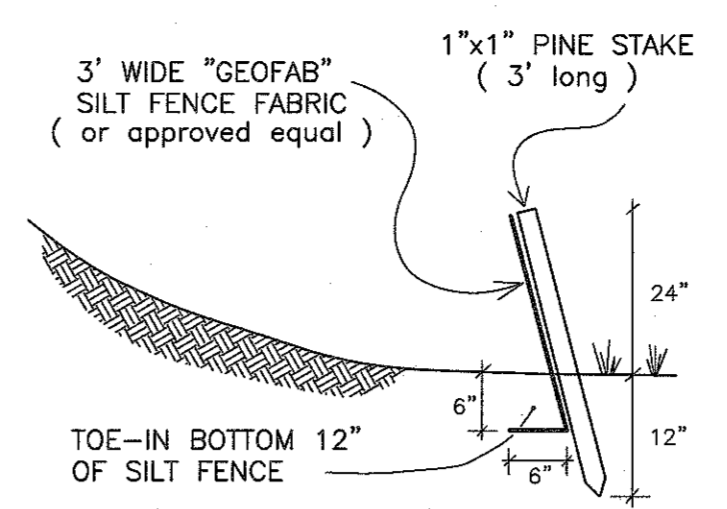


- CLEARING / DECK NOTES:**
1. UNDERBRUSH SHRUBS TO BE REMOVED SHALL NOT MEASURE GREATER THAN 1" DIAMETER.
 2. TREES TO BE VISTA PRUNED IN ORDER TO PROVIDE A CLEAR PATH TO THE DOCK.
 3. ONLY MANUALLY-OPERATED HAND TOOLS ARE TO BE USED IN SELECTIVELY CLEARING THE UNDERBRUSH WITHIN THE 25' NO DISTURBANCE ZONE. THESE HAND TOOLS ARE LOPPERS, SHEARS, AND A HAND SAW.
 4. DECK AND DOCK TO BE TRANSPORTED TO AND FROM THE PROPERTY BY HAND-CARRYING, WHEELBARROW, AND 2-WHEEL DOLLY. MOTORIZED TRANSPORTATION IS NOT ALLOWED WITHIN THE BEACH ACCESS EASEMENT.
 5. UNDERBRUSH TRIMMINGS ARE TO BE TRANSPORTED BY MEANS OF HAND-CARRYING AND WHEELBARROW AND SHALL BE LEGALLY DISPOSED OF OFF-SITE.
 6. DECK IS COMPRISED OF EIGHT (8) SEASONAL MODULAR WOOD SECTIONS MEASURING 4'x4' WITH ADJUSTABLE PAD SUPPORTS CONSTRUCTED WITH THE SAME MATERIALS AS THE DOCK. DECK SHALL NOT DISTURB EXISTING ROCKS IN THE AREA.
 7. UPON CONSERVATION COMMISSION APPROVAL, THE APPLICANT SHALL FILE FOR A CHAPTER 91 LICENSE.
 8. THE APPLICANT SHALL HAVE A PRE-CONSTRUCTION MEETING WITH THE CONSERVATION AGENT PRIOR TO THINNING THE UNDERBRUSH.

- DOCK NOTES:**
1. ALUMINUM LEGS SHALL BE THE SPECIFIED WIDTH.
 2. SAND PADS ARE TO BE INSTALLED TO THE BOTTOM OF THE 4" ALUMINUM LEGS AND ARE TO SIT ON THE POND FLOOR.
 3. ALL HARDWARE SHALL BE HOT DIPPED GALVANIZED, ALUMINUM, OR STAINLESS STEEL.
 4. DATUM BASED ON ASSUMED DATA.
 5. DOCK IS TO BE SECURED TO THE GROUND WHILE IN USE BY (2) GALVANIZED STAKES WITH EYE HOOKS AT THE TOP TO ATTACH EITHER CHAIN OR ROPE FROM THE DOCK. STAKES ARE TO PENETRATE APPROXIMATELY 2' INTO THE GROUND AND ARE NOT TO DISTURB PROTECTED SPECIES.



Project: PROPOSED DOCK 11 BRIARWOOD LANE ROCHESTER, MA 02770	Client: BRIAN & SHERYL PORTER
Scale: AS NOTED Date: MARCH 25, 2019 Drawn: AJC Checked: SDG Approved: SDG	SHEET NO. SP-1 OF DRAWING NUMBER SP-1
Revision Description No. Date	DECK REVISIONS CONSERVATION COMMISSION REVISIONS ADJUST DOCK POSITION CONSERVATION COMMISSION REVISIONS
4 MAY 28, 2019 3 MAY 08, 2019 2 MAY 07, 2019 1 MAY 01, 2019	SDG SDG SDG SDG
SITEC, Inc. 400 North Road Berlin, MA 02747 (508) 998-2125 FAX (508) 998-7554 WWW.SITEC-ENGINEERING.COM	
SITEC Civil and Environmental Engineering Land Use Planning	
Acad No. ROC 19-7154 SP.DWG File No. 19-7154	